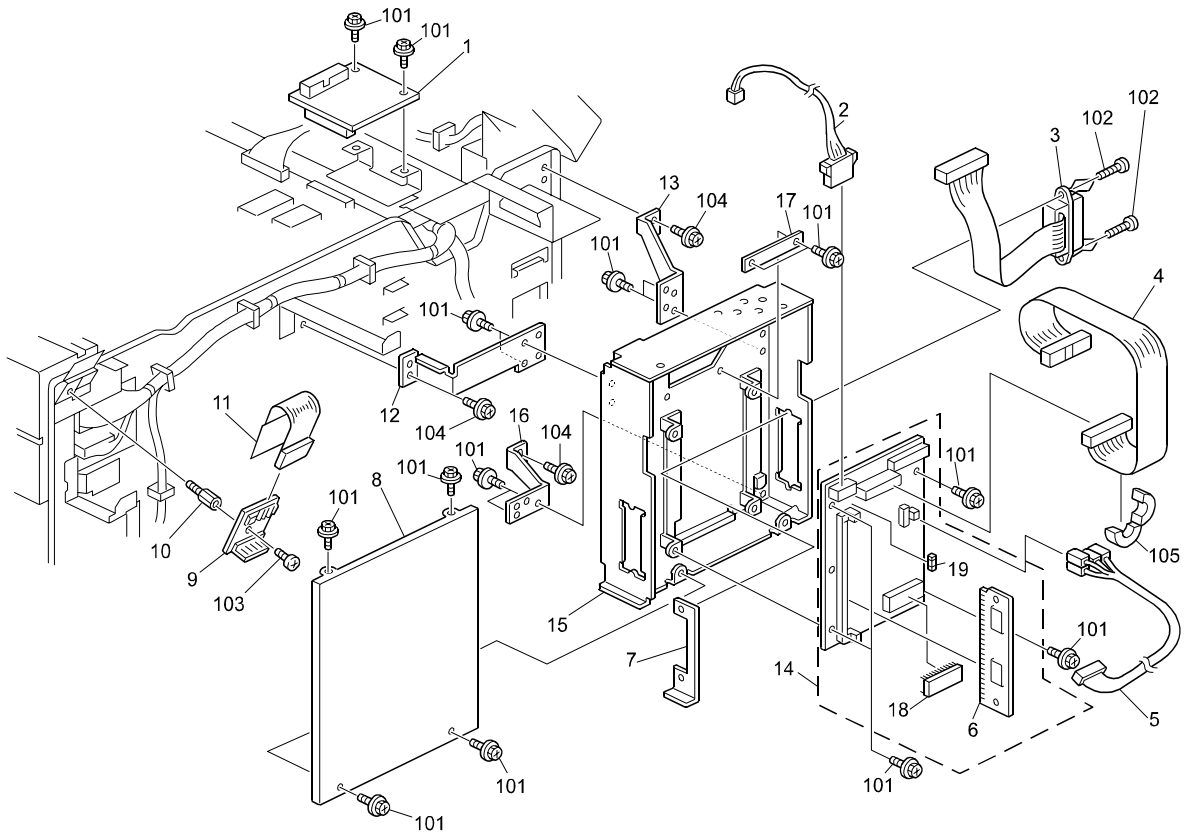


Model: PRIPORT SILVER-V/SILVER-V2/SV2P		Date: 30-Sep-03	No: M-C237-015
Modified Article: New Model SV2P information (China only)		Prepared by:	
From: Priport Service Planning Section		M. Ohtsubo	
Classification:	<input type="checkbox"/> Parts catalog correction	<input type="checkbox"/> Vendor change	<input type="checkbox"/> To meet standards
	<input type="checkbox"/> To facilitate assembly	<input type="checkbox"/> To improve reliability	()
	<input type="checkbox"/> Part standardization	<input checked="" type="checkbox"/> Other (New machine information)	
Model Name:			
SILVER-V:	Ricoh JP1210/1230/1250, Gestetner 5308(L/b)/5300, RexRotary 1225(B), nashuatec CP308(b), Savin 3150eDNP, Standard SD330		
SILVER-V2:	Ricoh JP1250/1215/1235/1255, Gestetner 5300/5308(+/b+)/5309L, RexRotary 1225(+/B+), nashuatec CP308(+/b+), Savin 3160DNP, Standard SD350, Lanier LDD020		
SV2P (China only):	Ricoh JP1260P, Gestetner 5310P		

This bulletin lists the components unique to Model SV2P (C253). Please add this list and the accompanying illustration to your Silver-V2 (C248) Parts Catalogs.

Notes: Please also see RTB #R-C231-015 for revisions made to the Service Manual due to minor changes applied to Model SV2P.

27. PRINTER CONTROLLER UNIT (C253)

Model: PRIPORT SILVER-V/SILVER-V2/SV2P

Date: 30-Sep-03

No: M-C237-015

Sec	Index	Parts No.	Description	Q'ty	Note
27	1	C5801011	Video I/F Board	1	
27	2	C2535300	Controller Power Cable	1	
27	3	C2495415	Interface Harness	1	
27	4	C2535401	Flat Cable	1	
27	5	C2531001	Panel Harness	1	
27	6	C6135005	SIMM 16MB	1	
27	7	C2495646	Plate	1	
27	8	C6135645	Shading Plate	1	
27	9	C6131005	Keypad PCB	1	
27	10	C2495659	Keypad PCB Stud	1	
27	11	C6131011	Panel	1	
27	12	C2495654	Stand – Left	1	
27	13	C2495655	Stand – Right	1	
27	14	C6135297	Controller Board	1	
27	15	C6135631	Controller Box	1	
27	16	C2495656	Stand – Lower Right	1	
27	17	C2183039	Flat Cable Clamp	1	
27	18	C6135012	Flash Memory	1	
27	19	11070914	Fuse 451001.MR	1	
27	101	04513006B	Tapping Screw – M3x6		
27	102	03530080Z	Philips Trass Head Screw – M3x8		
27	103	07120030B	Hexagon nut – M3		
27	104	04514006B	Tapping Screw - 4x6		
27	105	16070663	Ferrite Core		
27	-	C6136036	CD-ROM		
27	-	C6138626	Operating Instructions – CHN		